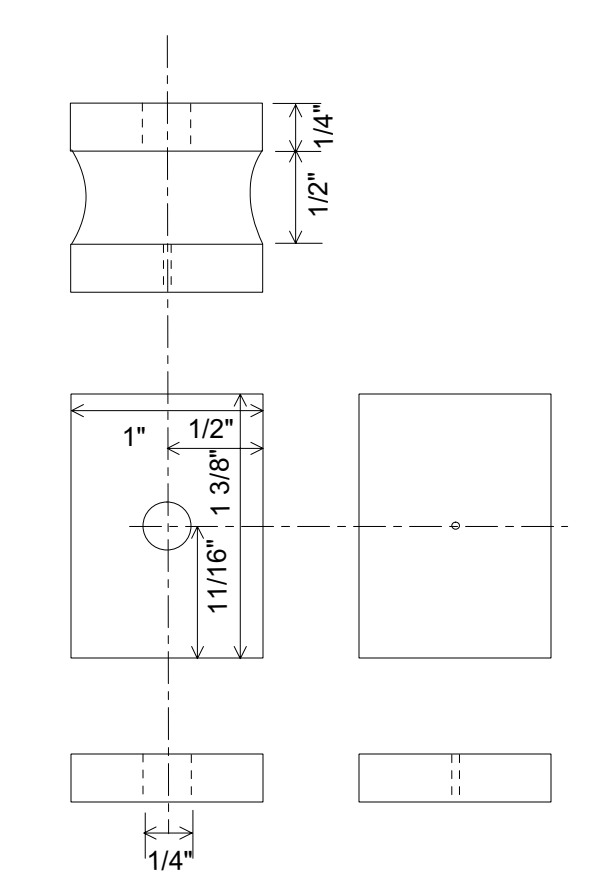
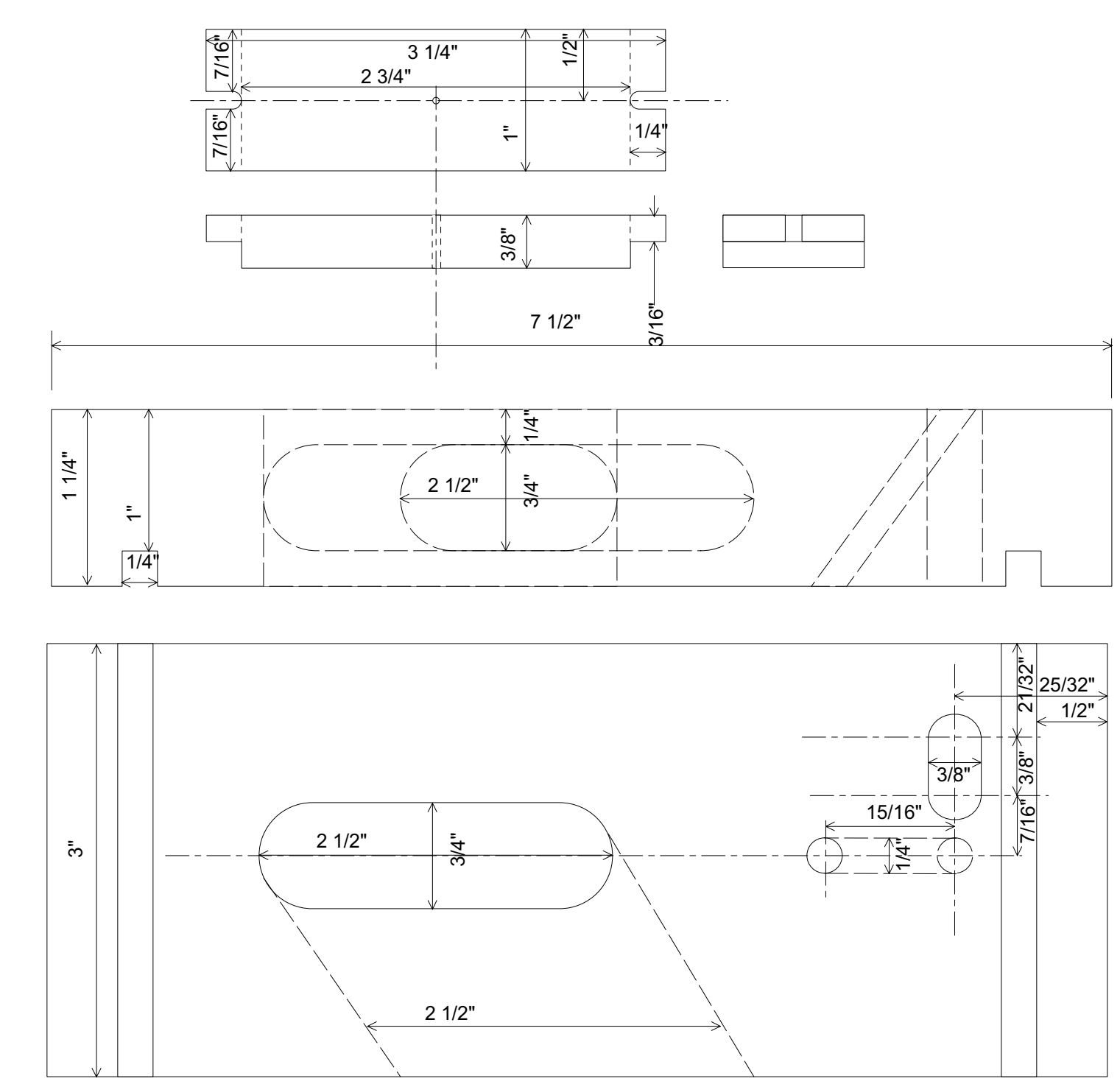
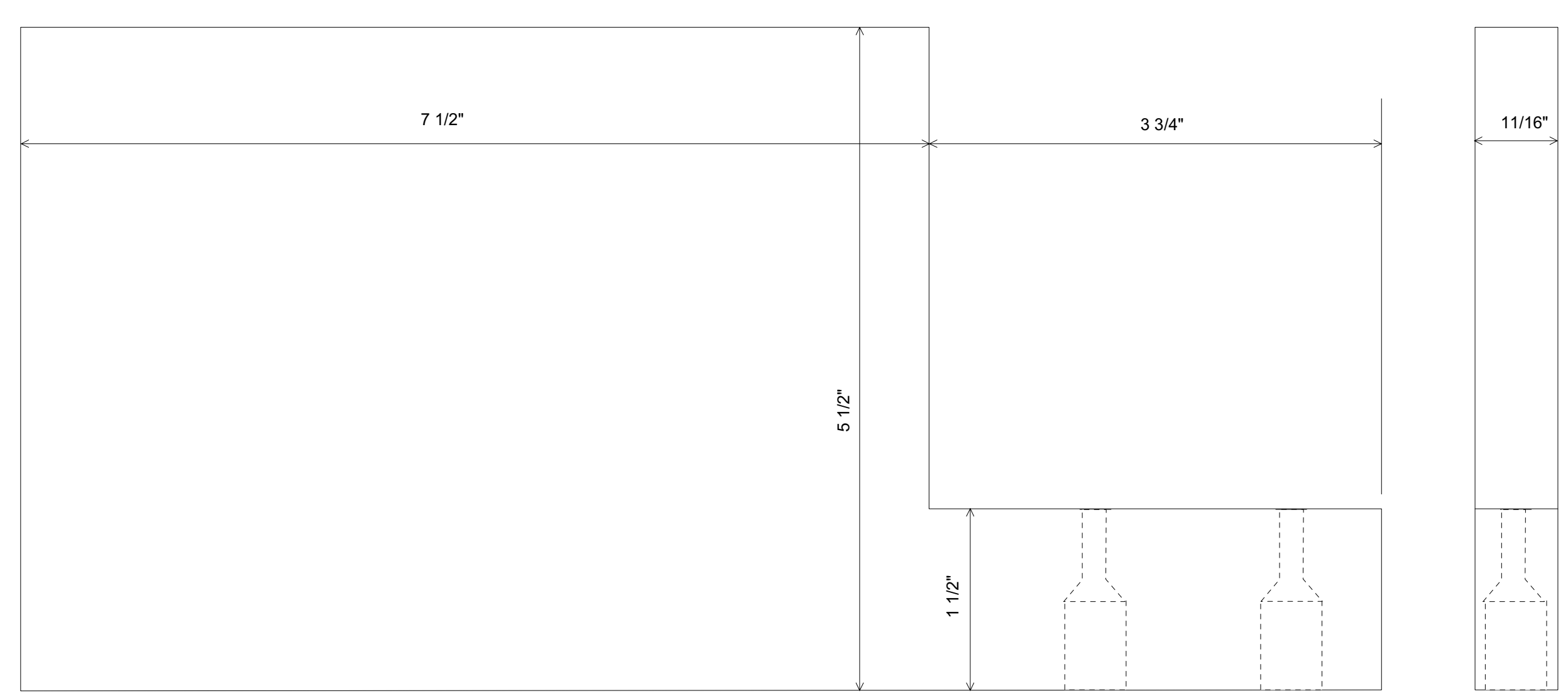


A B C D E F G H

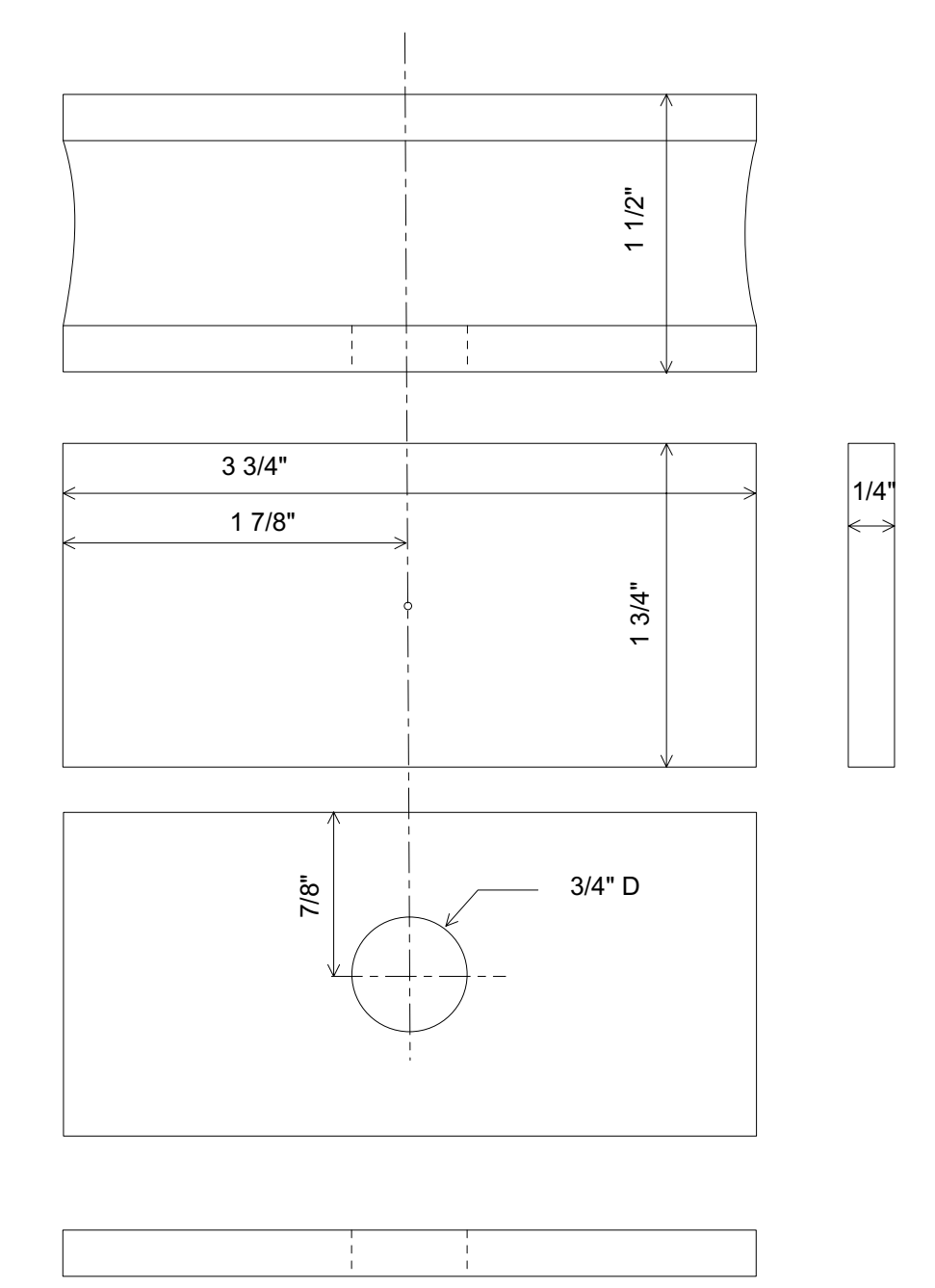
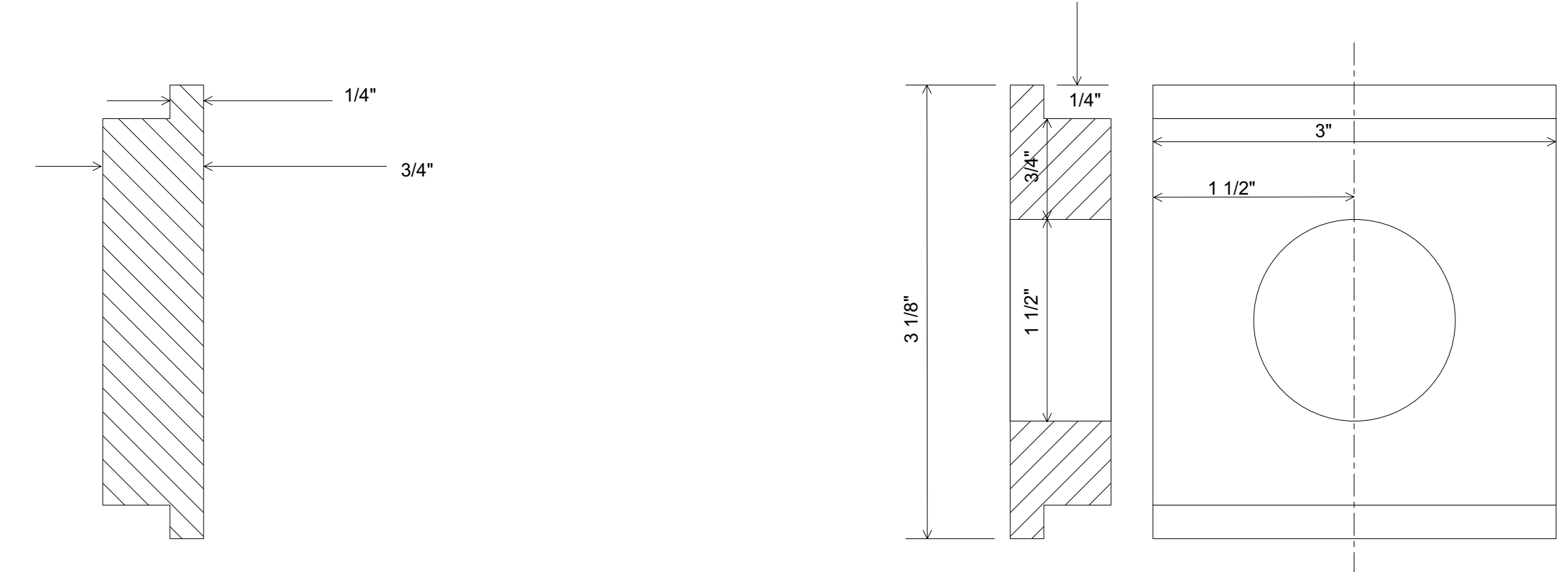
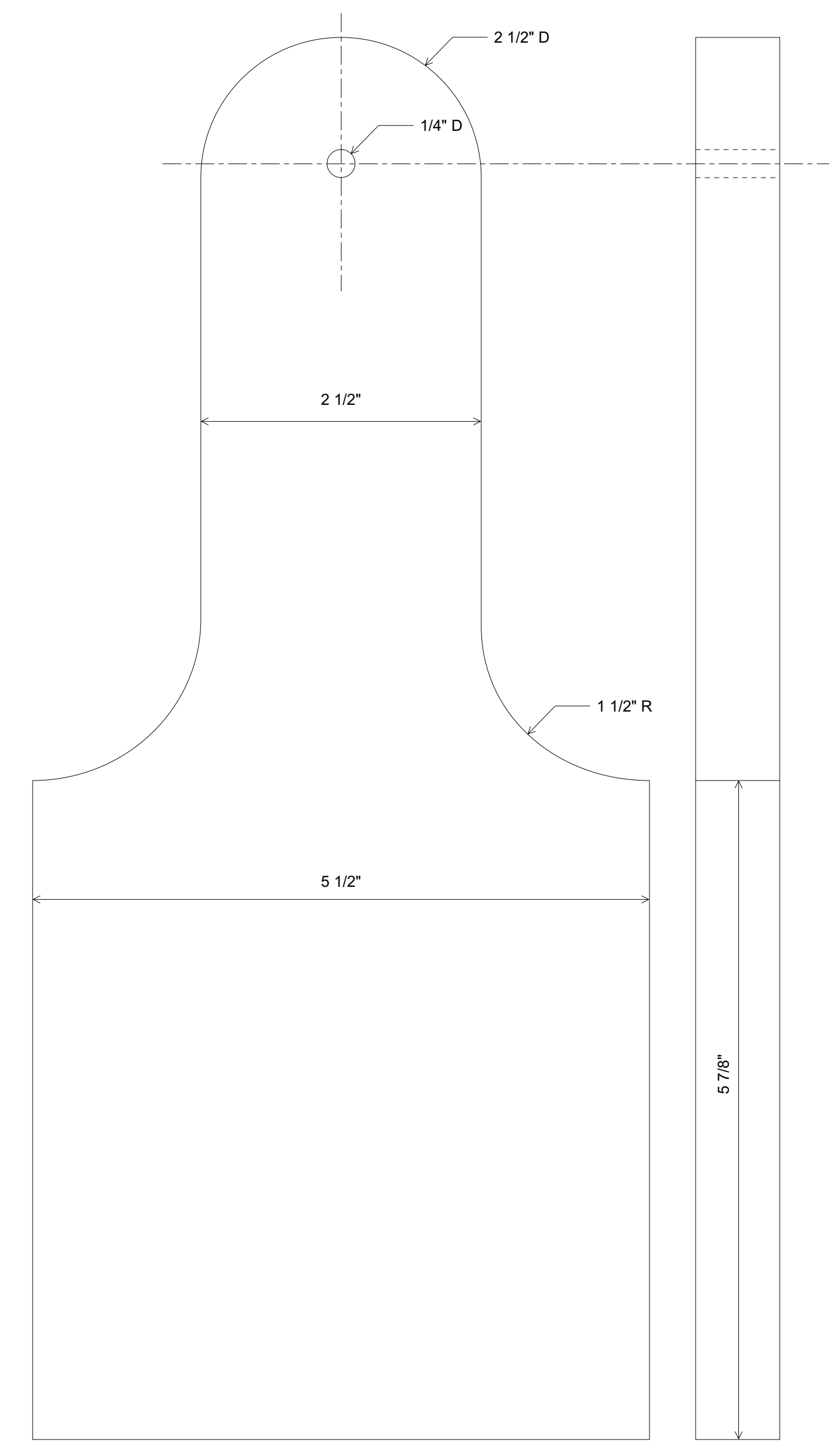
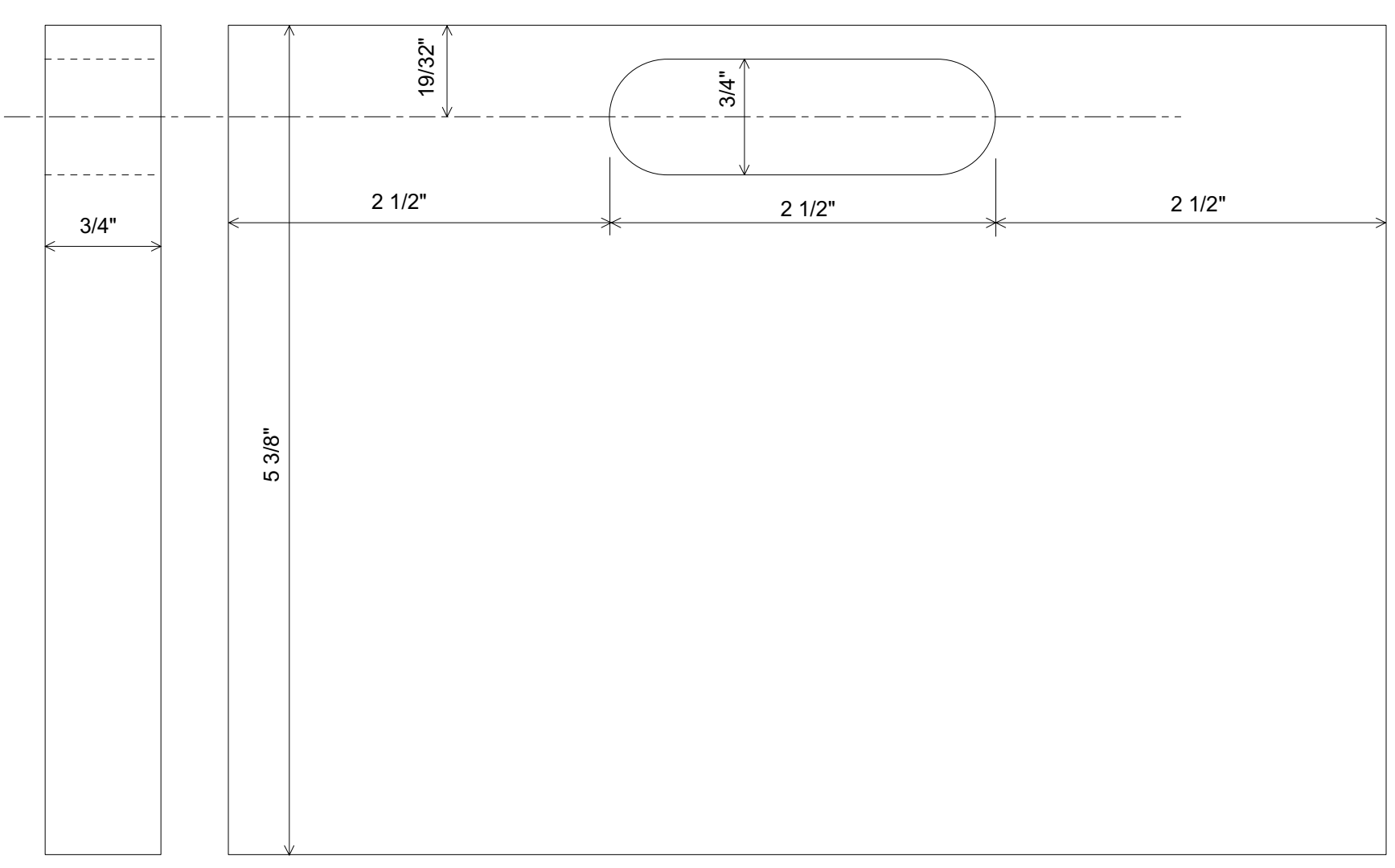
1

1



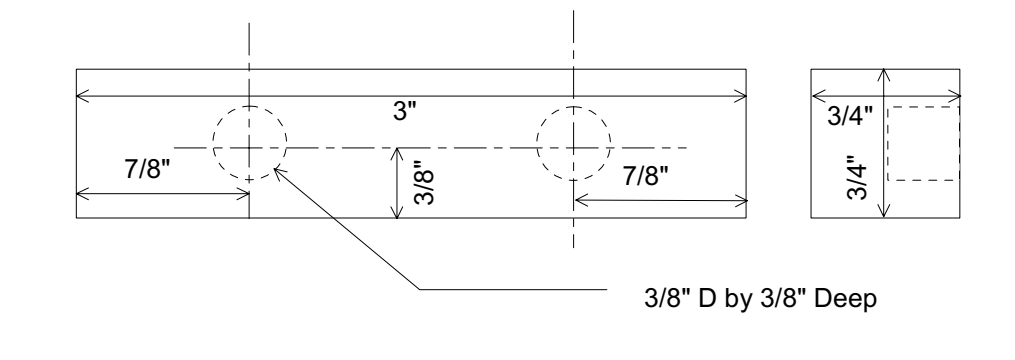
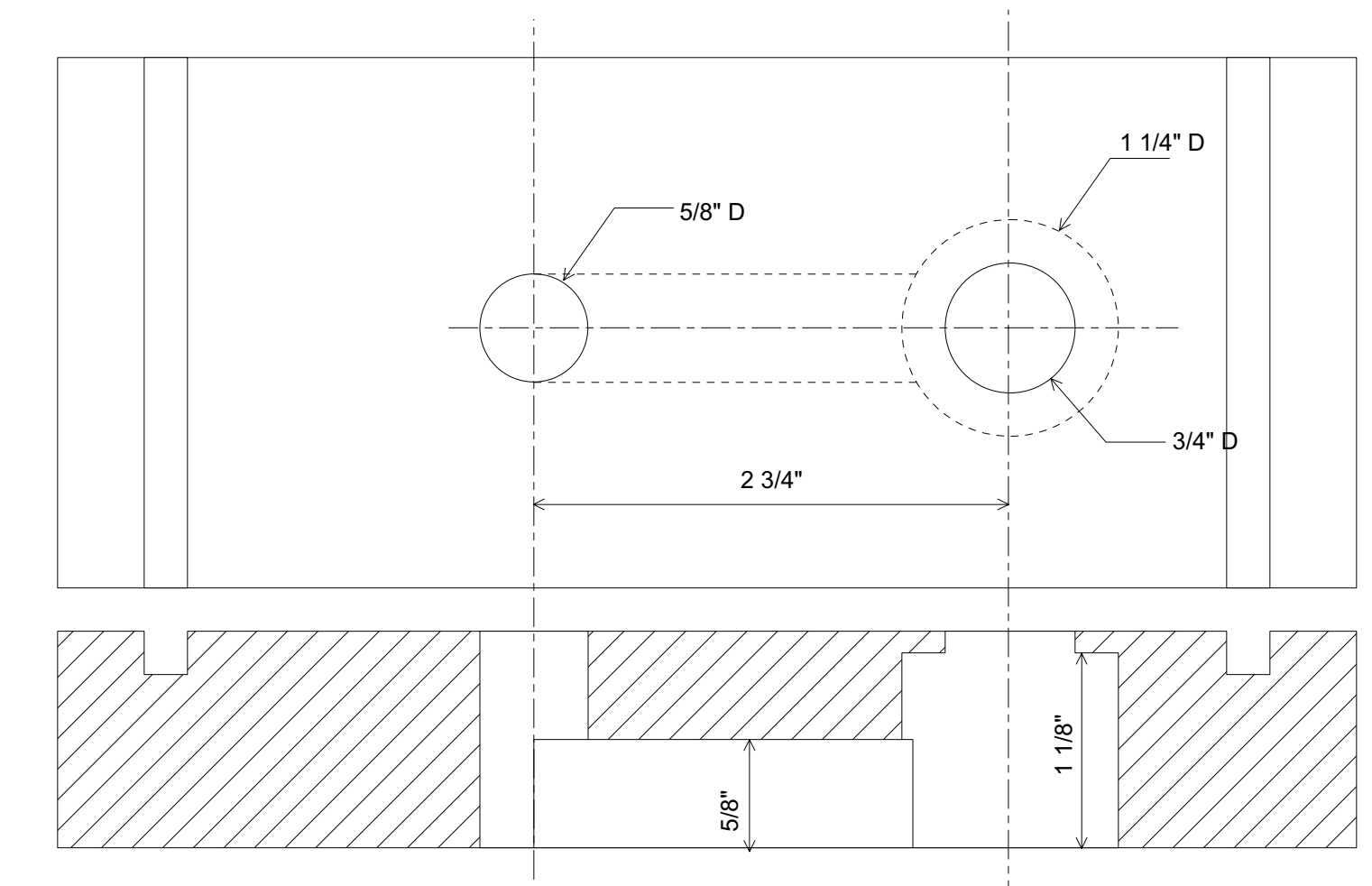
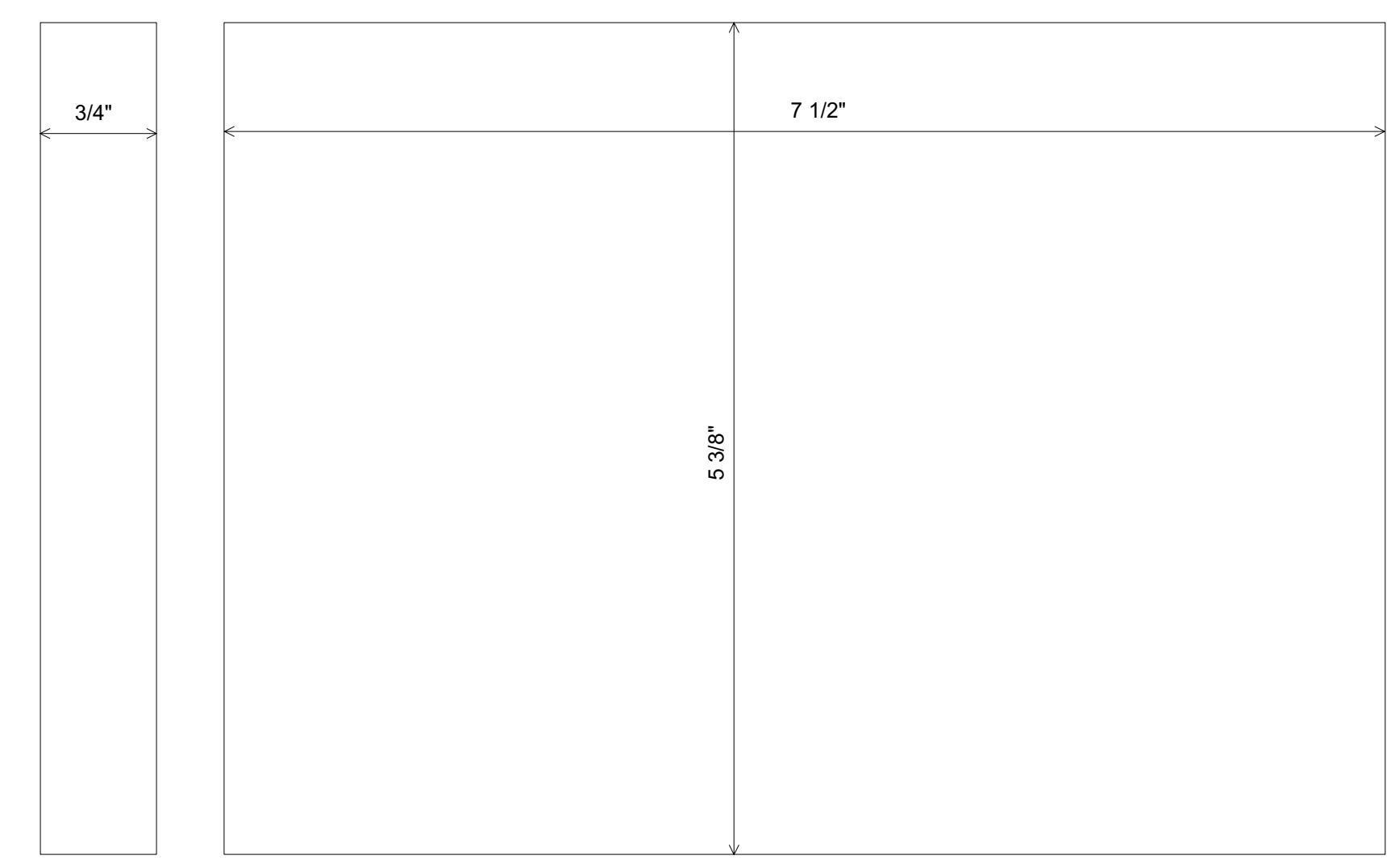
2

2



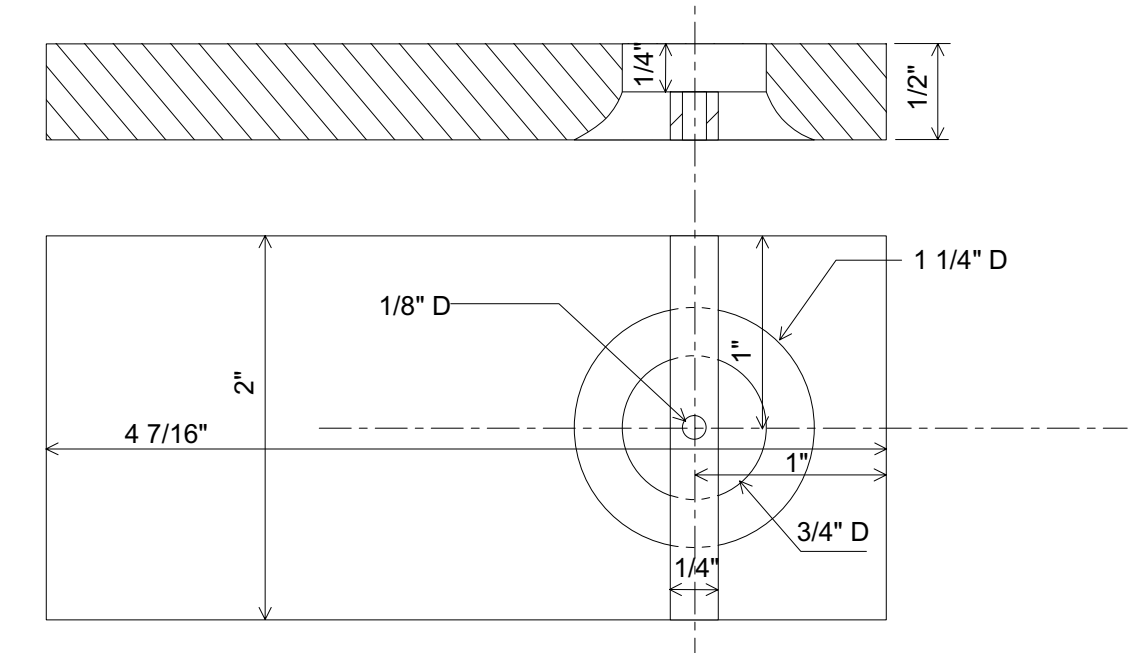
3

3



4

4



A B C D E F G H

Free State Theatre Organ Society  
Baltimore, Maryland

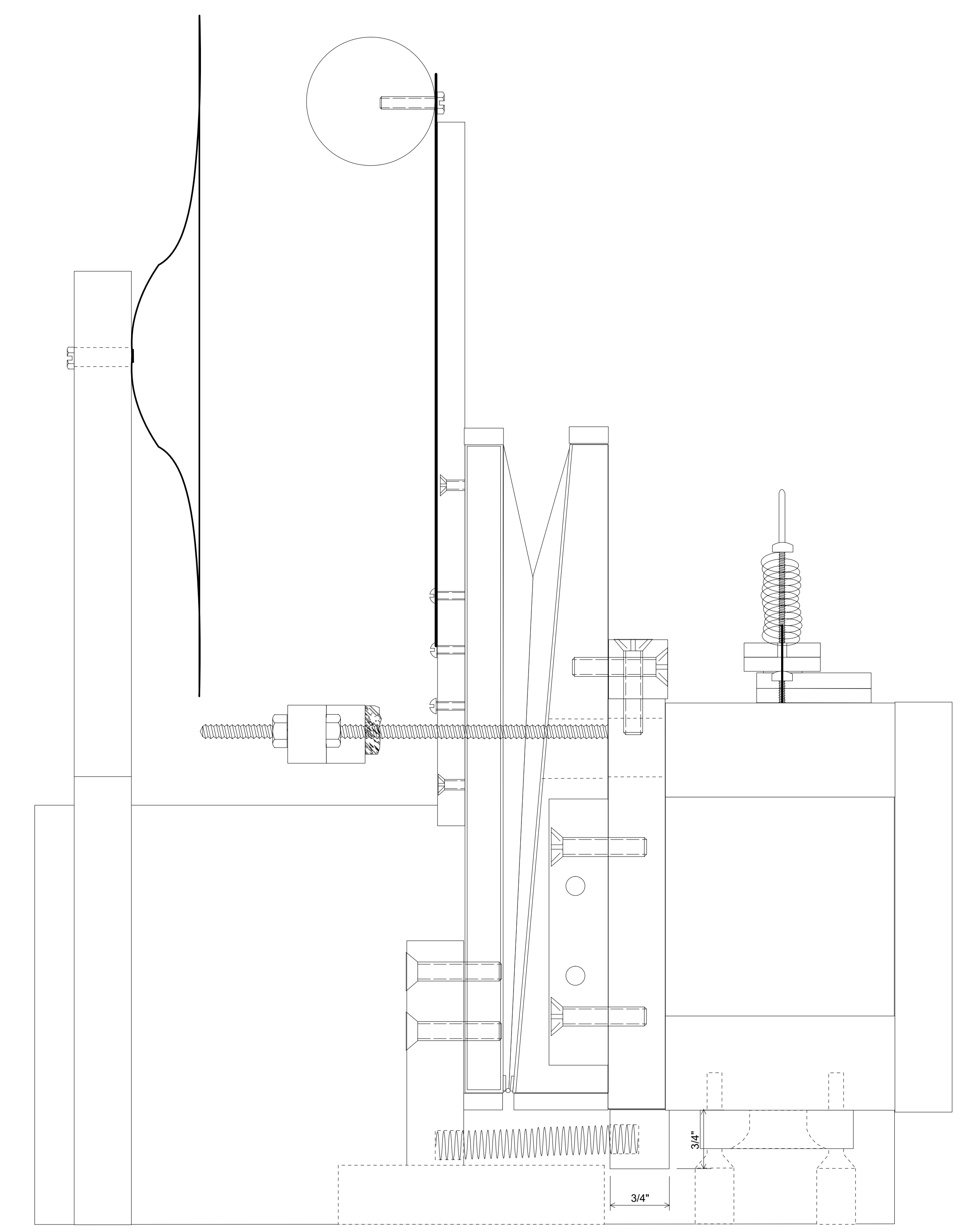
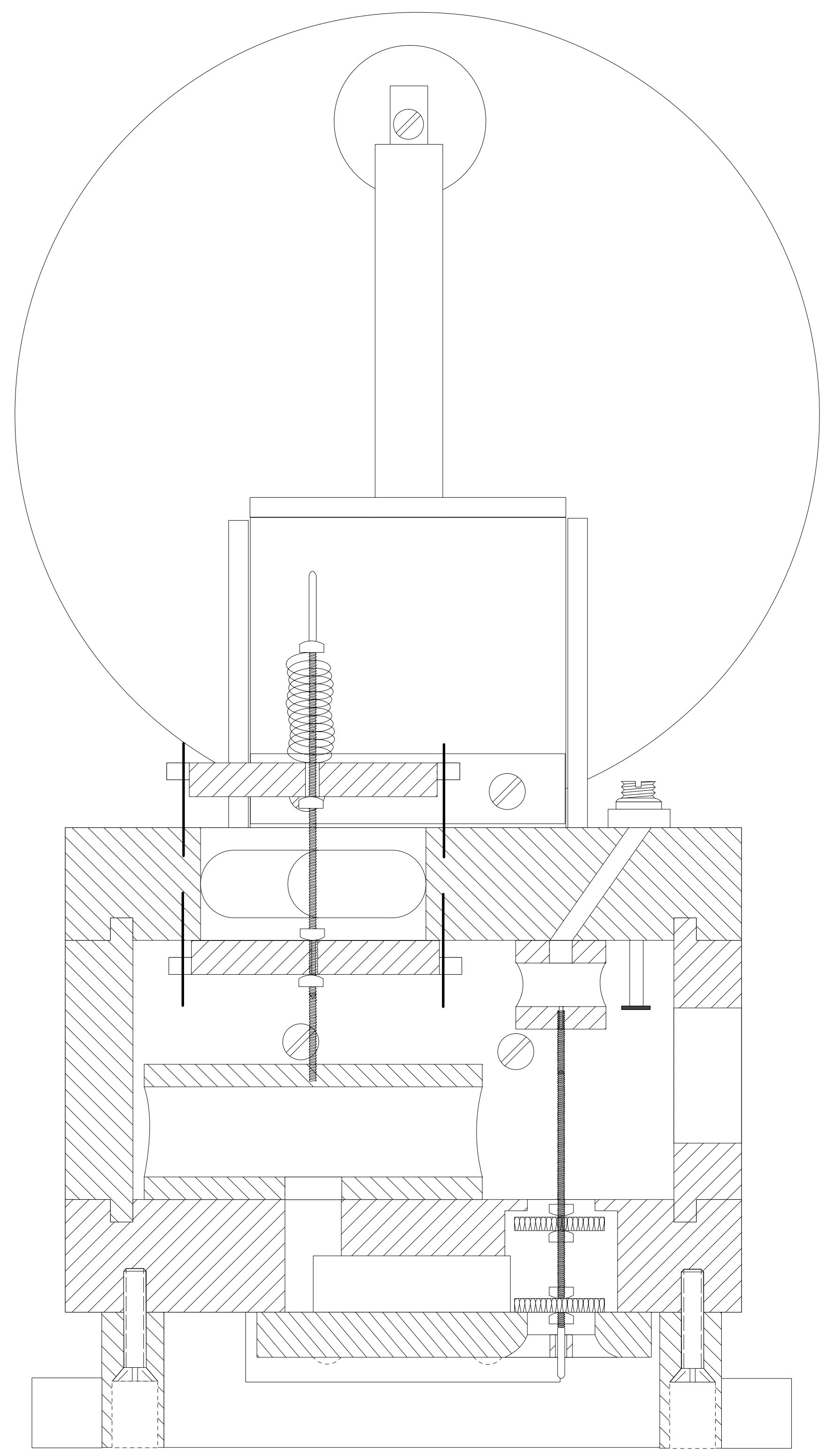
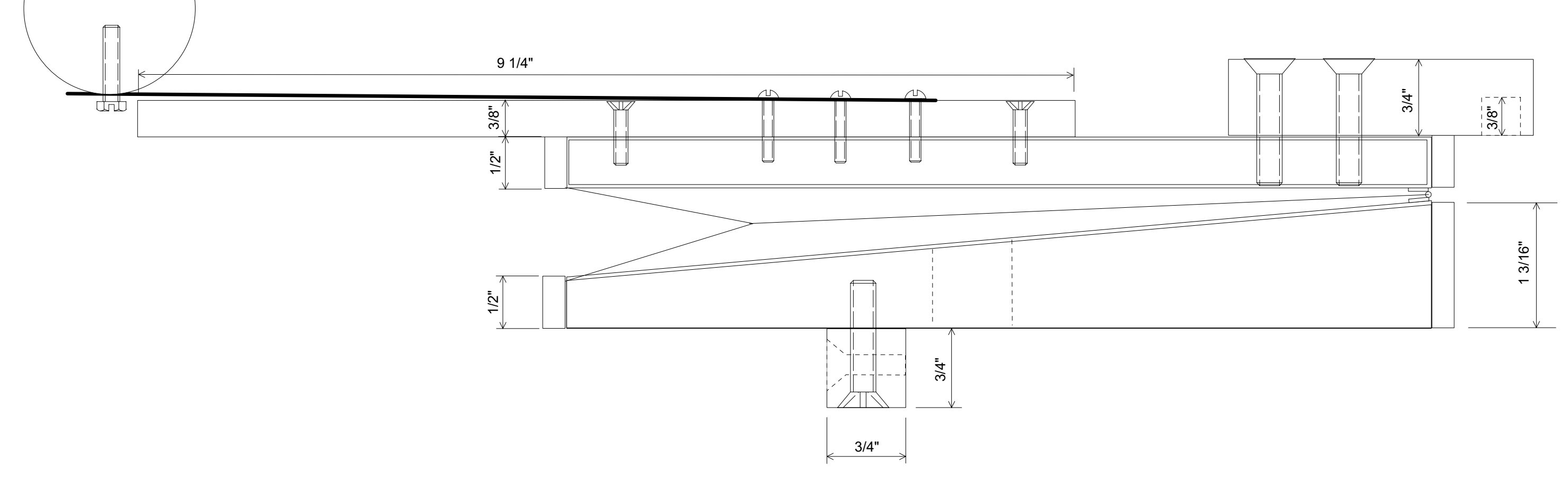
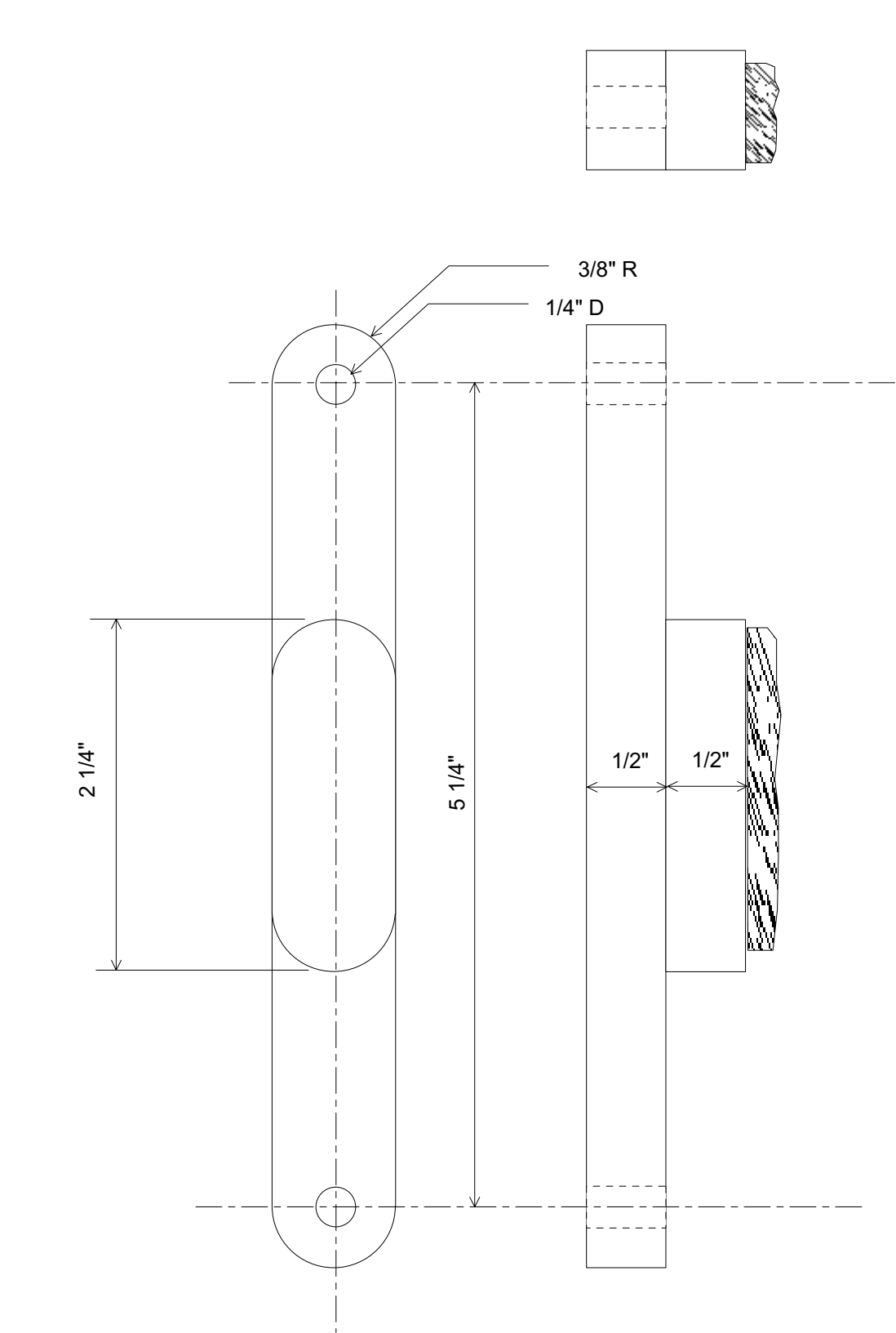
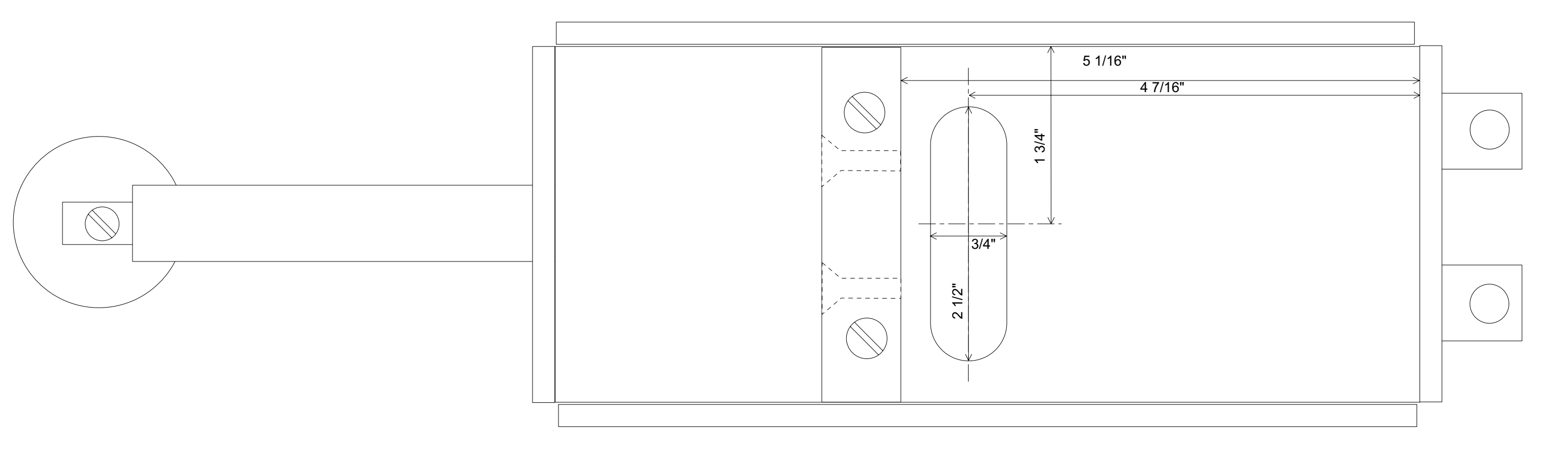
TAP CYMBAL

Drawn By: Buddy Boyd

Date: March 28, 2004 Scale: 1 to 1 Page: 1

NOTES: Power Pneumatic  
 The power Pneumatic is made from two pieces of wood. The top is a flat rectangle and the base is cut in a Wedge form. A brass hinge is installed at the base. Rubber cloth covers the pneumatic to allow it to open 3 inches outer dimension. The inside edges of the pneumatic should be rounded to keep from cutting the Cloth. Strips of wood 1/8 inch thick are attached on the outside.

Striker  
 The striker is a strip of steel flat spring attached to a wood arm.



Shown without Left Support

